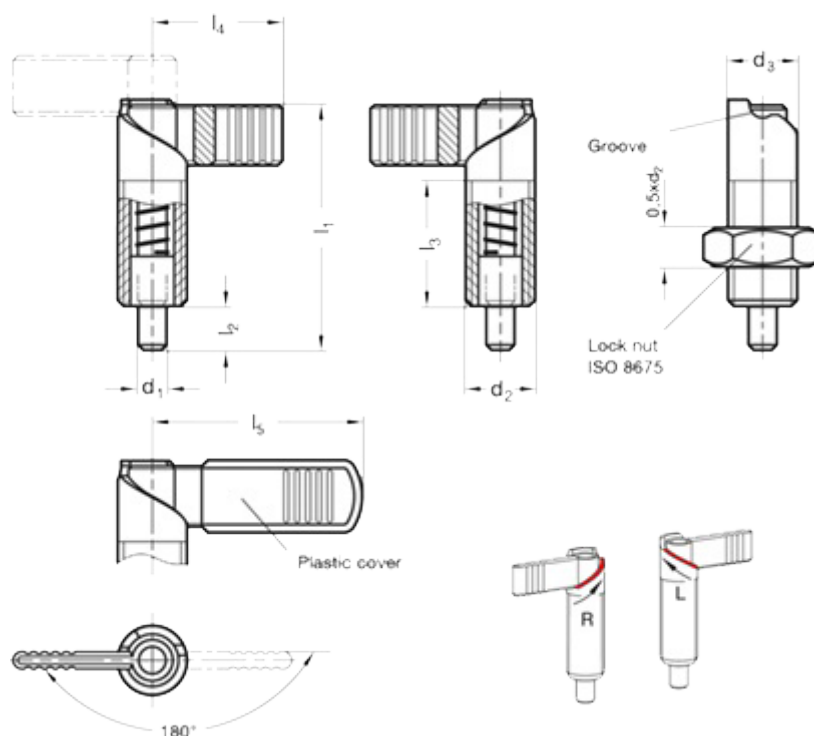


Article number: 2072168M1615RBK
 Description: E+G indexing plunger
 GN 721.5-8-M16x1,5-RBK

Measures



d1 = 8
 d2 = M16x1.5
 d3 = 16
 l1 = 56
 l2 = 10
 l3 = 30
 l4 = 32
 l5 = 42

Spring load in N end = 11
 Spring load in N top = 29
 Weight in (g) = 200